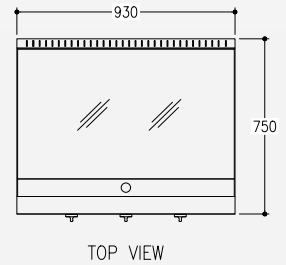
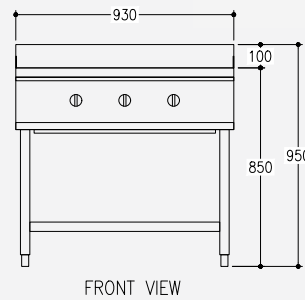
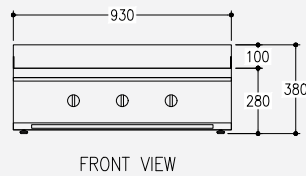
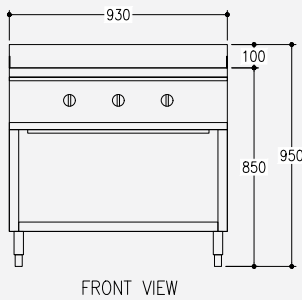


# GAS FLAT GRIDDLE

Prepare your diner, concession stand, or food truck with one of our commercial *Gas Griddles*, so you can prepare anything from scrambled eggs, omelets, and pancakes to sausage, burgers, and cheesesteaks.

Griddle is constructed from steel material with **S/S (Stainless-Steel)** heating system, to ensure a stable performance through the whole working hours.

Persiapkan dapur restoran, stand ataupun *food-truck* anda dengan pemanggang gas kami, untuk memasak hidangan apapun, baik telur dadar, omelet, *pancake*, hingga sosis, burger dan *cheesesteaks*. Pemanggang kami terbuat dari bahan baja/ *steel* dengan sistem pemanas **S/S (Stainless-Steel)**, untuk memastikan performa dapur anda tetap stabil selama waktu penggunaan.



MODEL	GFG-097585	GTF-097585	GFP-097528
Dimension [WxDxH in mm]	930 x 750 x 850/950	930 x 750 x 850/950	930 x 750 x 280/380
Features	Cabinet	Table	Portable
Consumption	80.000 BTU	80.000 BTU	80.000 BTU
Gas Inlet Diameter [inch]	3/8"	3/8"	3/8"
Packaging Volume [m <sup>3</sup> ]	0.68	0.68	0.25
Weight [Kg]	82.0	77.0	72.0

MODEL	GFG-067585	GTF-067585	GFP-067528
Dimension [WxDxH in mm]	630 x 750 x 850/950	630 x 750 x 850/950	630 x 750 x 280/380
Features	Cabinet	Table	Portable
Consumption	60.000 BTU	60.000 BTU	60.000 BTU
Gas Inlet Diameter [inch]	3/8"	3/8"	3/8"
Packaging Volume [m <sup>3</sup> ]	0.47	0.47	0.17
Weight [Kg]	59.0	54.0	49.0