



# CATALOG 2017

**STAINLESS.KITCHEN.SOLUTION**



YOUR STAINLESS KITCHEN SOLUTION





Since 2004, we focused on customized *Stainless-Steel* products catering for the needs of restaurants, hotels, catering solution, hospitals, factories and many more.

With the growth of demand in the *Stainless-Steel* industry, therefore PT. Arindo Cipta Perkasa was established in 2011, focusing on *Stainless-Steel* products for kitchen solutions, in order to maximize the performance and effectiveness in the kitchen.

**PT. Arindo Cipta Perkasa is your ultimate solution for all *Stainless-Steel* products.**

Sejak 2004, kami fokus memproduksi produk dapur *Stainless-Steel* sesuai permintaan, untuk kebutuhan restoran, hotel, jasa katering, rumah sakit, pabrik dan masih banyak lagi.

Meningkatnya permintaan industri *Stainless-Steel* membuat PT. Arindo Cipta Perkasa didirikan pada tahun 2011, dengan berfokus di bidang produksi *Stainless-Steel* untuk solusi dapur, untuk memaksimalkan performa dan efektivitas di dalam sebuah dapur.

**PT. Arindo Cipta Perkasa adalah solusi terbaik anda untuk semua produk *Stainless-Steel*.**

## GAS RANGE

Gas Kwali Range	08
Gas Kwali Range W/ Blower	08
Gas Range Burner	10
Gas Range Oven	10
Gas Range Char-Broiler	12
Gas Range Flat Griddle	12
Gas Steamer	14
Gas Noodle Boiler	14
Gas Stock Pot	16
Gas Salamander	16
Gas Deep Fryer	17

Custom Stove \_\_\_\_\_ 18  
 Discover *Stainless-Steel* cooking stoves designed specifically for **your own kitchen**. Equipped with Our Special Burner.

## ELECTRIC RANGE

Electric Bain Marie	22
Electric Dim-Sum Warmer	22
Electric Heating Cabinet	24
Electric Food Showcase	25
Electric Banquet Warmer (Trolley)	25

## STAINLESS-STEEL EQUIPMENT

Work Table	27
Rack and Shelves: Solid Rack	28
Rack and Shelves: Punch Rack	28
Rack and Shelves: Over Shelf	28
Rack and Shelves: Wall Shelf	29
Cabinets W/ Back Splash	30
Cabinets W/O Back Splash	31
Wall Cabinets	32
Sink Table W/ Back Splash	34
Sink Table W/O Back Splash	35
Exhaust Hood	36
Grease Trap	37
Trolley Services	38
Cocktail Station	39

## REFRIGERATION

Upright Cabinet Chiller	42
Upright Cabinet Freezer	42
Under Counter Cabinet Chiller	43
Under Counter Cabinet Freezer	44
Cake Showcase	45



## VISION

Since its establishment in 2004, we are equally committed to our owners, employees, customers, suppliers, the environment and society.

To be the leading company in the technology of *Stainless-Steel* kitchen supply by developing *eco-friendly* and *cost effective* kitchen products and equipments, in accordance to the need of society, *with the international standard*.

## MISSION

Your satisfaction is our priority when doing our work. We are striving to bring the best quality and/with professional services to you.

*Producing and supplying the highest quality kitchen supplies* with competitive price through professional production to customer's satisfaction.

## CLIENTS



## VISI

Sejak berdiri di tahun 2004, kami senantiasa berkomitmen kepada para pemilik, karyawan, pelanggan, distributor, lingkungan dan kepada masyarakat.

Menjadi perusahaan terdepan dalam bidang teknologi peralatan dapur *Stainless-Steel*, dengan menciptakan produk dan perlengkapan dapur yang *efektif* dan *ramah lingkungan*, sesuai kebutuhan masyarakat, *dengan standar internasional*.

## MISI

Kepuasan anda adalah prioritas utama kami dalam bekerja. Kami berusaha memberikan kualitas terbaik yang disertai dengan pelayanan profesional untuk anda.

*Memproduksi dan menyediakan peralatan dapur dengan kualitas terbaik*, dengan harga yang kompetitif dan cara produksi profesional untuk kepuasan pelanggan.

## COMMITMENT

This is our commitment, our promises, for how we can be good and how we strive to be better than we already are. We want to be your best *Stainless* kitchen solution.

### Sense of Business

With high corporate responsibility and business ethics, aiming to achieve the greatest outcome with a win-win customer service solution.

### Advance

Always have advanced thinking strategies, and acting further than most companies with clear direction which will enable us to accomplish the best decision making with minimum risk.

### Managerial Skill

Managing the company and business in a highly structured and organized system.

### Unique

Always being creative and innovative in developing solution, guaranteeing quality in production.

### Discipline

Execute company's regulations and proper business ethics, be it written or not.

### Entrepreneurship

Portray high responsibility in making the best decision at all circumstances.

### Role Model

Act as a role model for the business environment, relations and competitor.

### Accountable

In every approach and demeanour, always present a valid data with transparency, without any manipulation.

## KOMITMEN

Ini adalah komitmen kami, sebuah janji, bagaimana kami bisa menjadi sesuatu yang baik dan berusaha untuk menjadi lebih baik lagi. Kami ingin menjadi solusi *Stainless* terbaik bagi dapur anda.

### Naluri Bisnis

Dengan tanggung jawab perusahaan dan etika bisnis yang baik, berusaha untuk mencapai hasil terbaik dengan solusi *win-win* untuk pelanggan kami.

### Jangka Panjang

Selalu berpikir jangka panjang dalam menyusun rencana, dan bertindak lebih jauh daripada perusahaan lain, dengan arah yang jelas yang membuat kita bisa mengambil keputusan terbaik dengan resiko minimum.

### Kemampuan Manajemen

Mengatur perusahaan dan bisnis dalam sebuah sistem yang terstruktur dan terorganisir.

### Unik

Senantiasa kreatif dan inovatif dalam menciptakan solusi, yang menjamin kualitas dan mutu produksi.

### Disiplin

Menjalankan aturan perusahaan dan etika bisnis, baik yang tertulis maupun tidak.

### Kewirausahaan

Menunjukkan tanggung-jawab yang besar dalam mengambil keputusan apapun, di kondisi apapun juga.

### Sosok Panutan

Bertindak sebagai panutan di lingkungan bisnis, baik dengan relasi bisnis maupun pesaing bisnis.

### Bertanggung-Jawab

Dalam setiap pendekatan, selalu tampilkan *data* yang *valid*, transparan, tanpa adanya manipulasi.





## HIGH-QUALITY GAS RANGE

A sleek, modern, and functional heavy-duty gas ranges, from *Stainless-Steel*.

Chefs usually prefer gas ranges because heat output can be greater and easier to control. Our gas ranges will suit the needs of every kitchen from *kwali/wok* for asian restaurant, griddle for diner or stands, even open burners, which are cheaper and more efficient. Available in many size, and we are offering **customization** to suit your kitchen needs.

All our gas range are equipped with **Our Special Burners** and made in *Stainless-Steel*.

### PRODUCT LIST / PAGE

Gas Kwali Range	08
Gas Kwali Range W/ Blower	08
Gas Range Burner	10
Gas Range Oven	10
Gas Range Char-Broiler	12
Gas Range Flat Griddle	12
Gas Steamer	14
Gas Noodle Boiler	14
Gas Stock Pot	16
Gas Salamander	16
Gas Deep Fryer	17

Custom Stove \_\_\_\_\_ 18

Discover *Stainless-Steel* cooking stoves designed specifically for **your own kitchen**. Equipped with **Our Special Burner**.



**Our Special Burner.**



Made in *Stainless-Steel*.



**ONE YEAR WARRANTY**

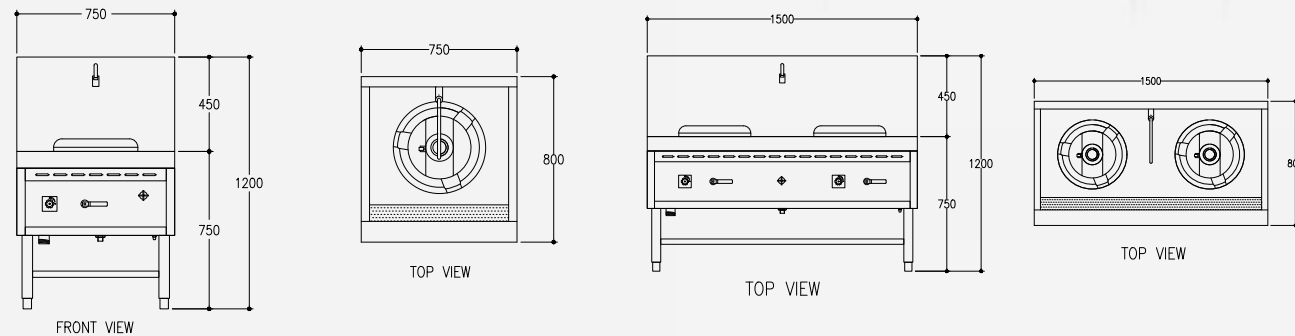
\* One Year Warranty for Service and Parts or Factory Defect.



## GAS KWALI RANGE STANDARD

This *Gas Range* is very essential range for Asian establishments which must meet the demands of high turnover and quick response times. Designed with a higher back splash and a knee-level position for easy operation inside an oriental kitchen. Wall-mounted faucet and *wok* holder are included.

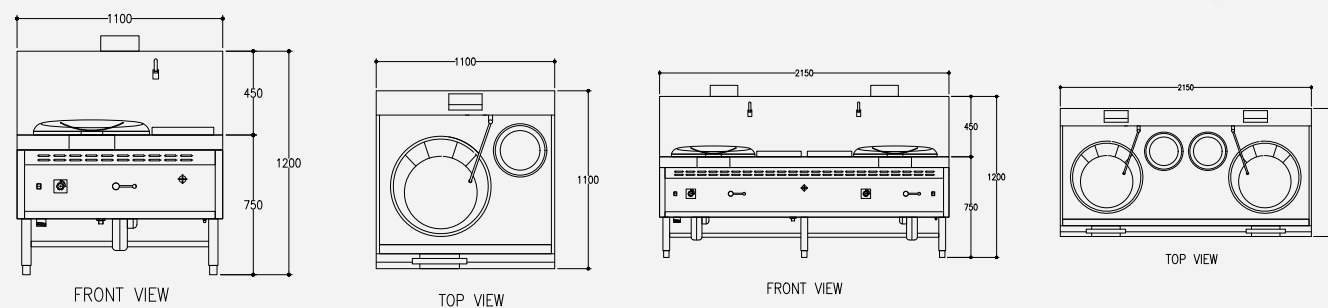
Tungku *kwali* adalah salah satu perangkat penting di restoran Asia, yang menuntut tingginya *turnover* dan permintaan konsumen. Didesain dengan *back splash* dan tinggi yang ideal untuk memasak di dalam restoran oriental. Keran air dinding dan tempat *wok* juga disertakan bersama produk ini.



## GAS KWALI RANGE W/ BLOWER W/ SOUP POT

This gas-powered *kwali/wok* cooker, features an engine burner and soup warmer, is very essential range for Asian establishments which must meet the demands of high turnover and quick response times. Designed with a higher back splash and a knee-level position for easy operation inside an oriental kitchen. Wall-mounted faucet and *wok* holder are included.

Tungku *kwali/wok* energi gas berdaya tinggi ini, adalah salah satu perangkat penting di restoran Asia, yang menuntut tingginya *turnover* dan permintaan konsumen. Didesain dengan *back splash* dan tinggi yang ideal untuk memasak di dalam restoran oriental. Keran air dinding dan tempat *wok* juga disertakan bersama produk ini.



MODEL	KR2-158075	KR1-078075
Dimension [WxDxH in mm]	1500 x 800 x 750/1200	750 x 800 x 750/1200
Consumption	250.000 BTU	125.000 BTU
Gas Inlet Diameter [inch]	3/8"	3/8"
Water Inlet Diameter [inch]	1/2"	1/2"
Drainage Pipe [inch]	1 1/2"	1 1/2"
Packaging Volume [m <sup>3</sup> ]	0.72	0.37
Weight [Kg]	51.0	25.0

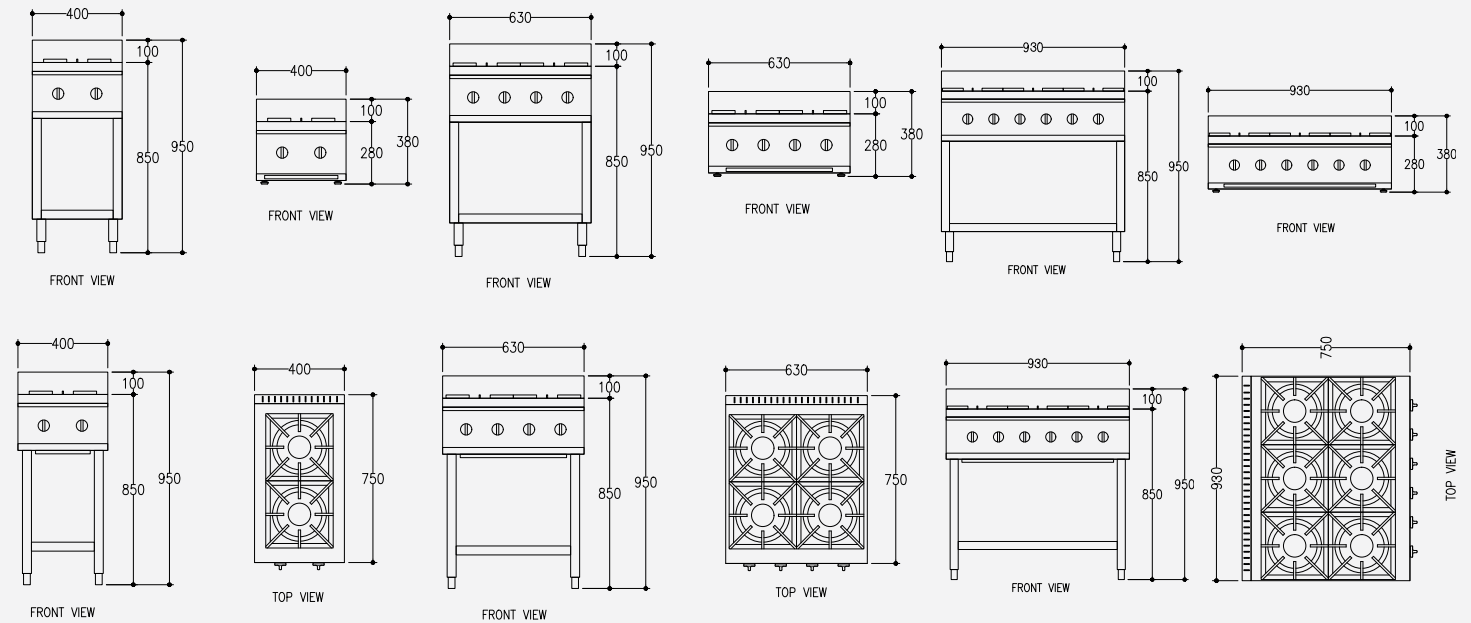
MODEL	KB2-211175	KB1-111175
Dimension [WxDxH in mm]	2150 x 1100 x 750/1200	1100 x 1100 x 750/1200
Consumption	320.000 BTU	160.000 BTU
Power Consumption	3 KW	1.5 KW
Electricity	220 V / 50 Hz / 1 Ø	220 V / 50 Hz / 1 Ø
Gas Inlet Diameter [inch]	3/8"	3/8"
Water Inlet Diameter [inch]	1/2"	1/2"
Drainage Pipe [inch]	1 1/2"	1 1/2"
Packaging Volume [m <sup>3</sup> ]	1.90	0.99
Weight [Kg]	257.0	141.0
Features	W/ Blower	W/ Blower
	Soup Warmer	Soup Warmer

# GAS RANGE

## 6 BURNERS, 4 BURNERS AND 2 BURNERS

Our *Gas Range* is a versatile tools to meet all catering business requirement from Asian/Chinese cooking, Western stir-fry cooking, batch cooking to elegant domestic cooking.

*Gas Range* milik kami dilengkapi oleh berbagai keunggulan sehingga cocok dalam penyajian makanan *Asia/Chinese*, sajian tumis ala *Western*, penyajian makanan lokal berkelas, hingga memasak berbagai jenis makanan dalam jumlah banyak.



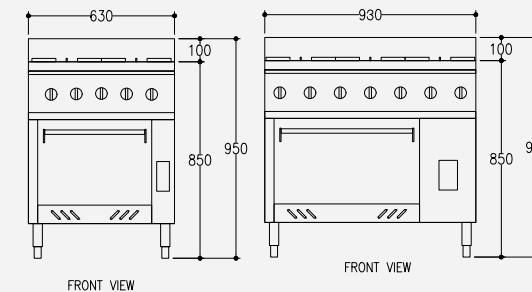
MODEL	GR6-097585	GT6-097585	GP6-097528	GR4-067585	GT4-067585	GP4-067528	GR2-047585	GT2-047585	GP2-047528
Dimension [WxDxH in mm]	930 x 750 x 850/950	930 x 750 x 850/950	930 x 750 x 280/380	630 x 750 x 850/950	630 x 750 x 850/950	630 x 750 x 280/380	400 x 750 x 850/950	400 x 750 x 850/950	400 x 750 x 280/380
Features	Cabinet	Table	Portable	Cabinet	Table	Portable	Cabinet	Table	Portable
Consumption	6 x 31.000 BTU	6 x 31.000 BTU	6 x 31.000 BTU	4 x 31.000 BTU	4 x 31.000 BTU	4 x 31.000 BTU	2 x 31.000 BTU	2 x 31.000 BTU	2 x 31.000 BTU
Gas Inlet Diameter [inch]	3/8"	3/8"	3/8"	3/8"	3/8"	3/8"	3/8"	3/8"	3/8"
Packaging Volume [m <sup>3</sup> ]	0.71	0.71	0.26	0.56	0.56	0.24	0.41	0.41	0.22
Weight [Kg]	62.0	57.0	52.0	45.0	40.0	35.0	33.0	29.0	26.0

# GAS RANGE W/OVEN

## 6 BURNERS AND 4 BURNERS

Upgrade your four or six burners *Gas Range* with an built-in oven. Beautifully crafted with *Stainless-Steel*, maximum safety standard, style and high performances, this *Gas Range* features built-in oven can be installed in any part of the kitchen, which makes for flexible working spaces.

Tingkatkan *Gas Range* pilihan anda dengan oven yang terintegrasi/terpasang di bawah burner dari *Gas Range*. Didesain dengan *Stainless-Steel*, standar keamanan, model dan performa terbaik, kompor gas dengan oven ini bisa diletakkan dimanapun, di dapur anda.

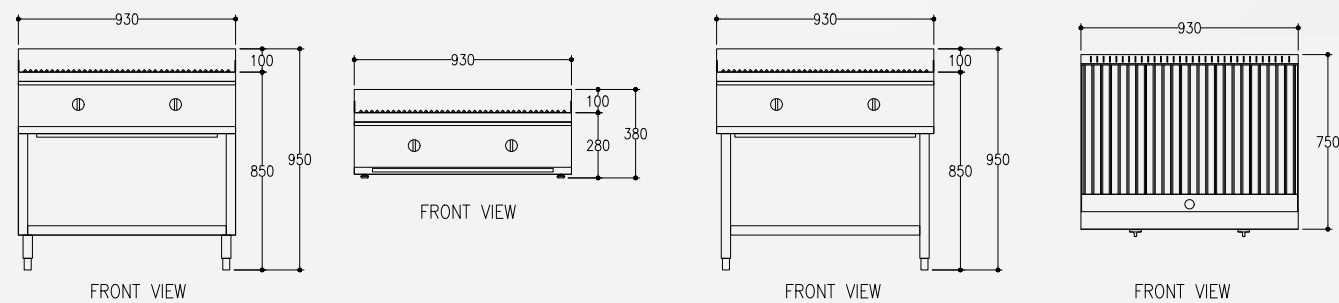


MODEL	GRO-097585	GRO-067585
Dimension [WxDxH in mm]	930 x 750 x 850/950	600 x 750 x 850/950
Features	W/ Oven	W/ Oven
Consumption	6 x 31.000 BTU	4 x 31.000 BTU
Gas Inlet Diameter [inch]	3/8"	3/8"
Packaging Volume [m <sup>3</sup> ]	0.71	0.56
Weight [Kg]	71.0	51.0

## GAS CHAR-BROILER

A *Gas Char-Broiler* is an essential piece of restaurant equipment to cook a variety of foods to perfection. It is one of the most popular cooking choices for commercial kitchens, especially where space is at premium. Our *Gas Char-Broiler* is featuring a single cooking zone, with the heating system is provided by indirect flame from charcoals below.

*Gas Char-Broiler* adalah sebuah peralatan memasak penting dalam sebuah restoran dan salah satu yang paling umum digunakan di dapur-dapur komersil yang sangat mengutamakan ruang/space memasak. *Gas Char-Broiler* kami memiliki zona memasak tunggal dengan sistem pemanas api secara tidak langsung dari tungku arang yang ada di bawahnya.



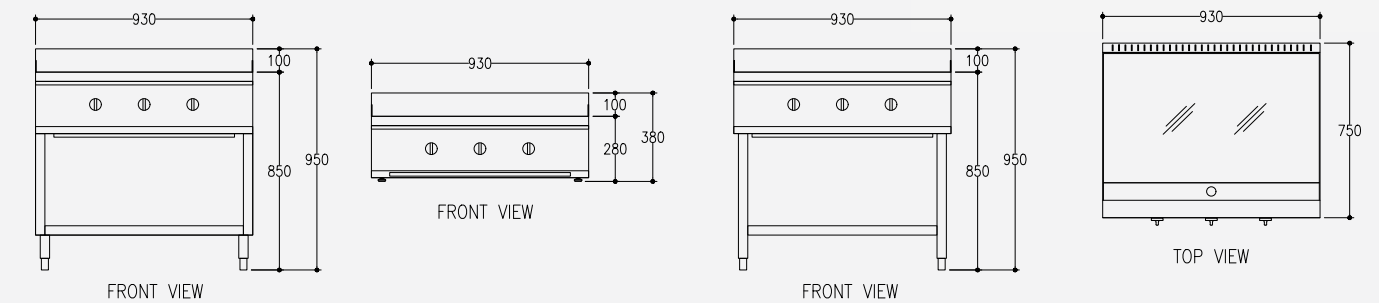
MODEL	GCB-097585	GTC-097585	GCP-097528
Dimension [WxDxH in mm]	930 x 750 x 850/950	930 x 750 x 850/950	930 x 750 x 280/380
Features	Cabinet	Table	Portable
Consumption	80.000 BTU	80.000 BTU	80.000 BTU
Gas Inlet Diameter [inch]	3/8"	3/8"	3/8"
Packaging Volume [m <sup>3</sup> ]	0.68	0.68	0.25
Weight [Kg]	67.0	62.0	57.0

MODEL	GCB-067585	GTC-067585	GCP-067528
Dimension [WxDxH in mm]	630 x 750 x 850/950	630 x 750 x 850/950	630 x 750 x 280/380
Features	Cabinet	Table	Portable
Consumption	60.000 BTU	60.000 BTU	60.000 BTU
Gas Inlet Diameter [inch]	3/8"	3/8"	3/8"
Packaging Volume [m <sup>3</sup> ]	0.47	0.47	0.17
Weight [Kg]	50.0	45.0	40.0

## GAS FLAT GRIDDLE

Prepare your diner, concession stand, or food truck with one of our commercial *Gas Griddles*, so you can prepare anything from scrambled eggs, omelets, and pancakes to sausage, burgers, and cheesesteaks. Griddle is constructed from steel material with *S/S (Stainless-Steel)* heating system, to ensure a stable performance through the whole working hours.

Persiapkan dapur restoran, stand ataupun *food-truck* anda dengan pemanggang gas kami, untuk memasak hidangan apapun, baik telur dadar, omelet, *pancake*, hingga sosis, burger dan *cheesesteaks*. Pemanggang kami terbuat dari bahan baja/ *steel* dengan sistem pemanas *S/S (Stainless-Steel)*, untuk memastikan performa dapur anda tetap stabil selama waktu penggunaan.



MODEL	GFG-097585	GTF-097585	GFP-097528
Dimension [WxDxH in mm]	930 x 750 x 850/950	930 x 750 x 850/950	930 x 750 x 280/380
Features	Cabinet	Table	Portable
Consumption	80.000 BTU	80.000 BTU	80.000 BTU
Gas Inlet Diameter [inch]	3/8"	3/8"	3/8"
Packaging Volume [m <sup>3</sup> ]	0.68	0.68	0.25
Weight [Kg]	82.0	77.0	72.0

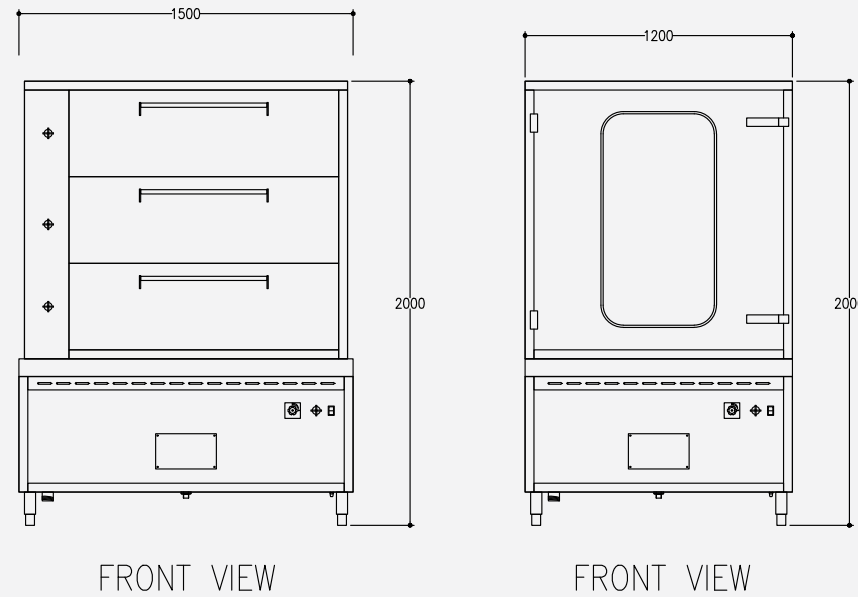
MODEL	GFG-067585	GTF-067585	GFP-067528
Dimension [WxDxH in mm]	630 x 750 x 850/950	630 x 750 x 850/950	630 x 750 x 280/380
Features	Cabinet	Table	Portable
Consumption	60.000 BTU	60.000 BTU	60.000 BTU
Gas Inlet Diameter [inch]	3/8"	3/8"	3/8"
Packaging Volume [m <sup>3</sup> ]	0.47	0.47	0.17
Weight [Kg]	59.0	54.0	49.0

# GAS STEAMER

## TURBO-STEAMER AND 3 DECK STEAMER

Our *Gas Steamer* is designed to easily steam foods without wasting unnecessary water or energy. Thanks to its boilerless and pressureless design this steamer can be used to prepare vegetables, seafood, rice, and more, making it perfect for any busy commercial kitchen.

*Gas Steamer* kami didesain untuk mengukus makanan tanpa memboroskan air ataupun energi yang tidak perlu. Berkat desain tanpa ketel kami, anda bisa mengukus sayur-sayuran, *seafood*, nasi dan banyak lagi, sehingga akan sangat cocok digunakan di dapur restoran-restoran komersil yang sangat sibuk.



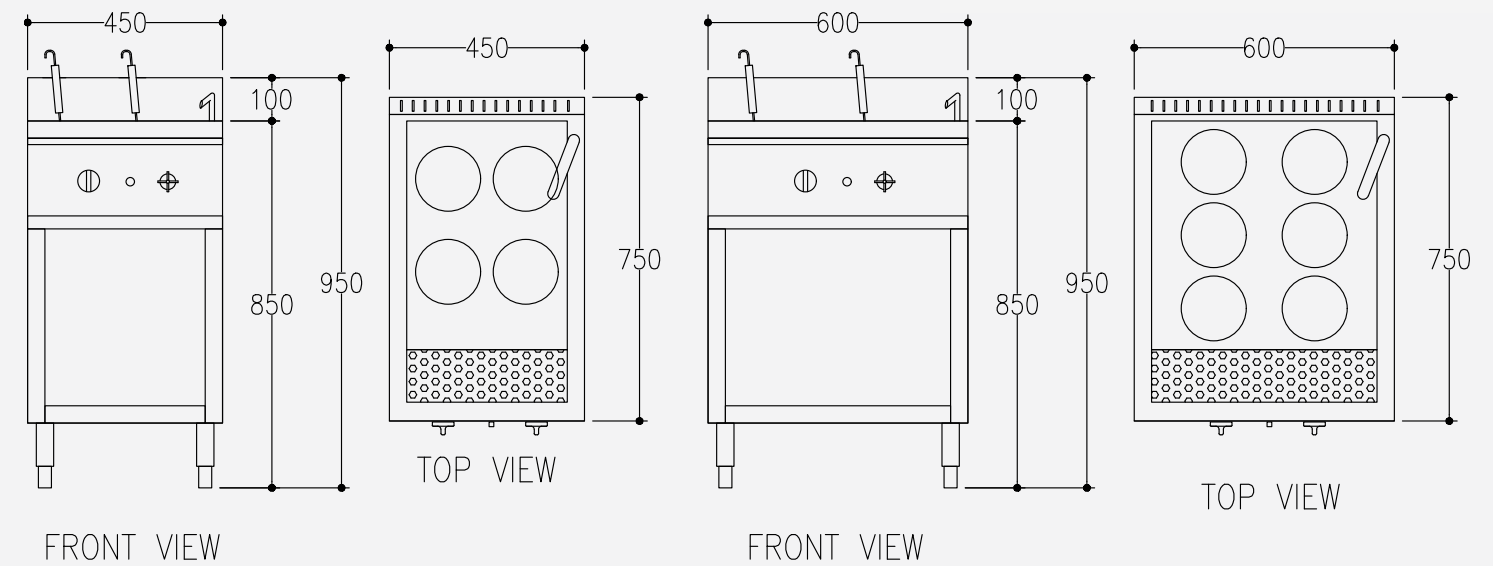
MODEL	GS3-150820	GST-121020
Dimension [WxDxH in mm]	1500 x 800 x 2000	1200 x 1000 x 2000
Consumption	250.000 BTU	125.000 BTU
Electricity	220 V / 50 Hz / 1 Ø	220 V / 50 Hz / 1 Ø
Gas Inlet Diameter [inch]	1/2"	1/2"
Water Inlet Diameter [inch]	1/2"	1/2"
Drainage Pipe [inch]	1"	1"
Packaging Volume [m <sup>3</sup> ]	3.02	3.02
Weight [Kg]	168.0	178.0

# GAS NOODLE BOILER

## SIX BASKETS AND FOUR BASKETS

Made of *Stainless-Steel*, this *Gas Noodle Boiler* are perfect tools for any noodle-based restaurants, cafes, snack stores or even home. Equipped with special heating control combined with water faucet to ensure your water cycle makes high efficiency in preparing noodle and pasta dishes.

Terbuat dari bahan *Stainless-Steel*, *Gas Noodle Boiler* ini adalah alat yang sempurna untuk rumah anda, maupun restoran-restoran atau kafe yang menyajikan mie/*pasta*. Dilengkapi dengan pengatur panas spesial kami, yang dikombinasikan dengan keran air untuk memastikan suplai aliran air anda tetap efisien dalam memasak hidangan mie maupun *pasta*.



MODEL	GNB-067585	GNB-047585
Dimension [WxDxH in mm]	600 x 750 x 850/950	450 x 750 x 850/950
Cooking Capacity	44 Liters – 6 Baskets	32 Liters – 4 Baskets
Consumption	80.000 BTU	60.000 BTU
Gas Inlet Diameter [inch]	3/8"	3/8"
Water Inlet Diameter [inch]	1/2"	1/2"
Drainage Pipe [inch]	1"	1"
Packaging Volume [m <sup>3</sup> ]	0.52	0.40
Weight [Kg]	43.0	30.0



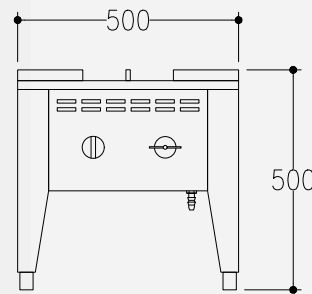
## GAS STOCK POT

Our *Gas Stock Pot* is equipped with powerful gas burner. It can be used as *Kwali/Wok Range*, by mounting an adapter onto its iron griddle's cast. It is also designed to be a portable appliances inside a kitchen.

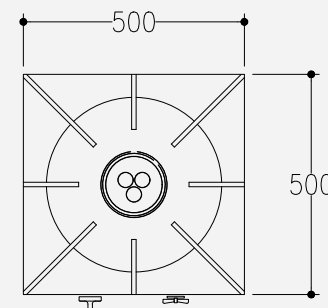
Tungku *Gas Stock Pot* kami dilengkapi dengan *burner* gas berdaya tinggi. Dapat juga digunakan sebagai *Kwali* ataupun *Wok Range*, dengan memasang *adapter* pada *cast* plat besi pada tungku. Didesain sebagai peralatan memasak yang *portable* di dalam dapur anda.



MODEL	GSP-055050
Dimension [WxDxH in mm]	500 x 500 x 500
Consumption	72.000 BTU
Gas Inlet Diameter [inch]	3/8"
Packaging Volume [m <sup>3</sup> ]	0.15
Weight [Kg]	18.0



FRONT VIEW



TOP VIEW

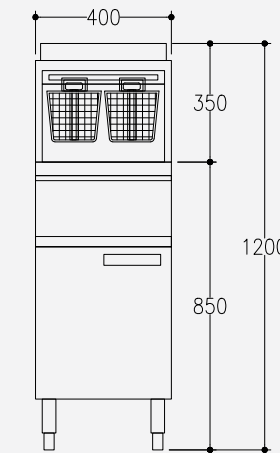
## GAS DEEP FRYER

Make crisp and delicious fries, pickle chips or any fried dishes with the our *Deep Fryer*. It's has two 10-liters capacity and designed with high power internal heating elements in the stove, making it convenient for anytime use. Also featuring liftable design for easy cleaning, continuous uses and repetitive frying cycle.

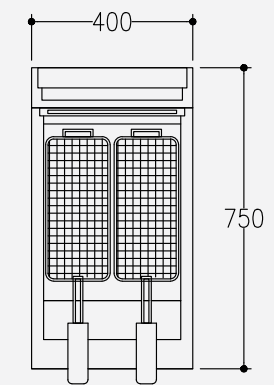
Hidangkan kentang goreng lezat, *chips* garing ataupun gorengan lainnya dengan *Deep Fryer* milik kami. Dilengkapi dengan dua buah tangki 10 liter dan mesin pemanas internal berdaya tinggi pada tungku yang mudah digunakan kapan saja. *Fryer* bisa diangkat agar mudah dibersihkan dan digunakan terus-menerus.



MODEL	GDF-047585
Dimension [WxDxH in mm]	400 x 750 x 850/1200
Consumption	125.000 BTU
Gas Inlet Diameter [inch]	3/8"
Packaging Volume [m <sup>3</sup> ]	0.37
Weight [Kg]	32.0



FRONT VIEW

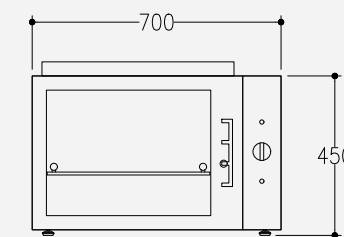


TOP VIEW

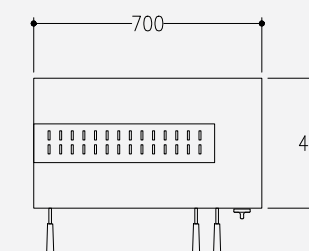
## GAS SALAMANDER

Powerful and reliable appliance, perfect for cooking fish, steaks and sandwiches. Featuring *Stainless-Steel* construction and simple push-button ignition, our *Gas-powered Salamander* is both durable and user friendly. The tray assembly rolls out adequately for loading and unloading and cleaning.

Peralatan memasak yang bertenaga dan terjamin menjadikannya tepat untuk memasak ikan, *steak*, maupun *sandwich*/roti isi. Terbuat dari konstruksi *Stainless-Steel* dan tombol penyala sederhana, *Gas Salamander* kami sangat awet dan mudah digunakan. Loyang panggang juga bisa ditarik keluar-masuk untuk memudahkan mengisi makanan ataupun membersihkannya.



FRONT VIEW



TOP VIEW

MODEL	GSR-074045
Dimension [WxDxH in mm]	700 x 400 x 450
Consumption	54.000 BTU
Gas Inlet Diameter [inch]	3/8"
Packaging Volume [m <sup>3</sup> ]	0.17
Weight [Kg]	26.5



## CUSTOM STOVE

Discover powerful cooking stoves designed specifically for your own kitchen.

We understand that every kitchen has a different and unique needs, depends on their individual methods. Our business has already served more than **100** of these requests from restaurants and establishments in Indonesia. These experiences have put us in a position where we can offer some *customized options* in our kitchen ranges and products.

Please note that due to safety concerns, not every request can be met. However, we are at your service to give you our best solution.

Kindly contact us for more information on designing your own professional kitchen stove.

Request a quote for your own custom stove designs.

All of your custom design stoves will be equipped with *Our Special Burner*.

Dimensions are varied, and can be determined upon request.

Temukan kompor terbaik yang dirancang secara khusus sesuai dengan kebutuhan dapur anda.

Kami paham jika setiap dapur memiliki kebutuhan yang unik dan metode yang berbeda-beda. Kami telah melayani lebih dari **100** permintaan dari berbagai perusahaan maupun restoran di Indonesia. Pengalaman seperti inilah yang menjadikan kami siap berperan sebagai perusahaan penyedia jasa *desain custom* untuk berbagai produk perlengkapan dapur anda.

Demi kepentingan keselamatan, tidak semua permintaan desain anda dapat terwujud. Akan tetapi, perusahaan kami akan siap untuk menjadi solusi terbaik bagi anda.

Silahkan menghubungi kami untuk informasi lebih lanjut mengenai pemilihan desain kompor profesional yang sesuai dengan kebutuhan anda.

Setiap kompor dengan desain yang anda pilih akan dilengkapi dengan *Special Burner Kami*.

Dimensi ukuran bervariasi dan akan disesuaikan dengan kebutuhan anda.



## MORE EFFICIENT, MORE POWER

Cook efficiently with anything from grills and griddles to oversized pots with the *Our Special Burner*. Wide range of heat output are ideal for most cooking needs.

Efisien untuk memasak ataupun memanggang dengan *Burner Spesial Kami*. Tenaga panas yang variatif sangatlah ideal untuk memenuhi kebutuhan memasak anda.



## VERSATILE ADJUSTABLE BURNER

Easy-to-use temperature-setting for adjustable heating to provide precise cooking. This is the kind of cooking that professional chef's demand.

Temperatur yang mudah diatur dengan suhu terkontrol untuk memasak dengan presisi. Inilah cara memasak yang dituntut oleh *chef* profesional.

## STAINLESS STEEL-MADE

Constructed from steel material with *S/S (Stainless-Steel)* heating system, to ensure a stable performance. It's also strong, durable and easy to keep clean.

Dikontruksi dari bahan baja/steel dengan sistem pemanas *Stainless-Steel*, untuk performa memasak yang tetap stabil. Juga kuat dan tahan lama serta mudah dibersihkan.





## PERFECT FOR KITCHENS WITH LIMITED SPACE

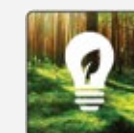
Our electric equipment combine innovative technology with sleek design, providing *versatility* for your every needs.

For those kitchen which space are limited – **We have you covered.** Our holding and transport food warming cabinets are constructed with the top-of-the-line features your restaurant and commercial operations need most. All are designed to keep foods warm and delicious from cooking to serving.

We are also offering *customization* to suit your kitchen needs. Made in *Stainless-Steel*.

### PRODUCT LIST / PAGE

Electric Bain Marie	22
Electric Dim-Sum Warmer	22
Electric Heating Cabinet	24
Electric Food Showcase	25
Electric Banquet Warmer (Trolley)	25



Eco-Friendly  
Electricity.



Made in  
*Stainless-Steel*.



One Year  
Warranty.\*

\* One Year Warranty for Service and Parts or Factory Defect.



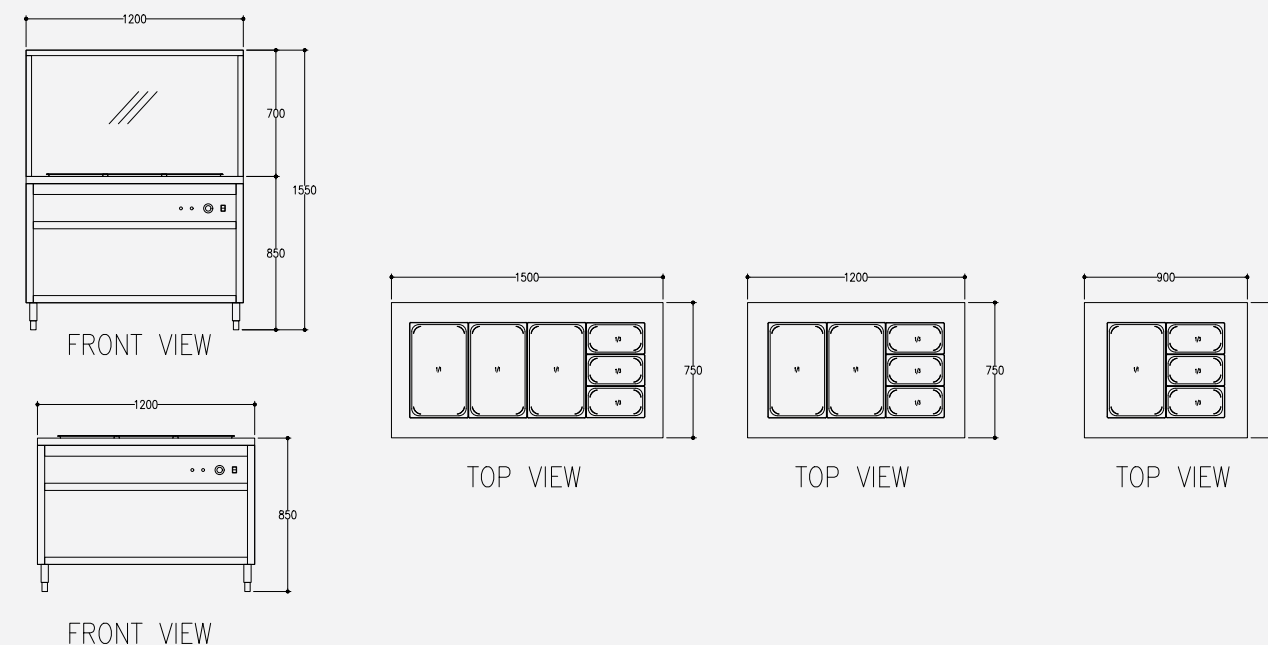
## ELECTRIC BAIN MARIE STANDARD AND SHOWCASE

Our *Bain Marie* is available in *Standard* and *Showcase* version. Customization are also available, starts from general uses, such as open cabinet, sneeze guard glass, tray rail even sliding doors for display can be added upon request.

*Bain Marie* kami tersedia dalam versi/model *Standard* dan *Showcase*. Desain khusus juga tersedia, mulai dari yang bersifat umum, seperti kabinet terbuka, kaca pelindung, rel untuk loyang, hingga pintu geser untuk *display*, tergantung keinginan anda.



MODEL	EBM-157585	EBM-127585	EBM-097585
Dimension [WxDxH in mm]	1500 x 750 x 850	1200 x 750 x 850	900 x 750 x 850
Power Consumption	4 KW	3 KW	1.5 KW
Electricity	220 V / 50 Hz / 1 Ø	220 V / 50 Hz / 1 Ø	220 V / 50 Hz / 1 Ø
Water Inlet Diameter [inch]	1/2"	1/2"	1/2"
Drainage Pipe [inch]	1/2"	1/2"	1/2"
Packaging Volume [m³]	1.30	1.05	0.80
Weight [Kg]	93.5	80.5	68.0



MODEL	ESM-157515	ESM-127515	ESM-097515
Dimension [WxDxH in mm]	1500 x 750 x 1550	1200 x 750 x 1550	900 x 750 x 1550
Power Consumption	4 KW	3 KW	1.5 KW
Electricity	220 V / 50 Hz / 1 Ø	220 V / 50 Hz / 1 Ø	220 V / 50 Hz / 1 Ø
Water Inlet Diameter [inch]	1/2"	1/2"	1/2"
Drainage Pipe [inch]	1/2"	1/2"	1/2"
Packaging Volume [m³]	2.29	1.82	1.40
Weight [Kg]	113.5	98.5	83.0

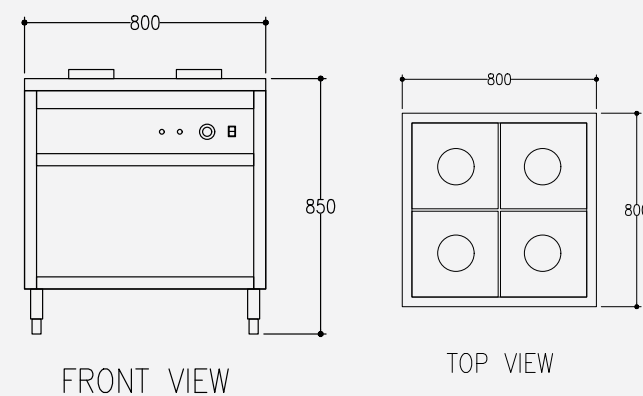
## ELECTRIC DIM-SUM WARMER

Create a *dim-sum* cooking station for your kitchen or restaurant. Our *Electric Dim-Sum Warmer* are designed to help you prepare delicious *dim-sum* meals quickly and easily with four warmer zones and a simple heating control.

Gas inlet are also included.

Ciptakan sebuah sistem pemasak *dim-sum* untuk dapur ataupun restoran anda. Penghangat elektrik kami didesain untuk mempersiapkan hidangan *dim-sum* secara cepat dan mudah, dengan empat zona pemanas dan sebuah kontrol pemanas sederhana.

Lubang masukan gas juga tersedia.



MODEL	EDW-088085
Dimension [WxDxH in mm]	800 x 800 x 850
Power Consumption	8 KW
Electricity	220 V / 50 Hz / 1 Ø
Capacity	42 Liters
Water Inlet Diameter [inch]	1/2"
Drainage Pipe [inch]	1/2"
Packaging Volume [m³]	0.77
Weight [Kg]	64.0



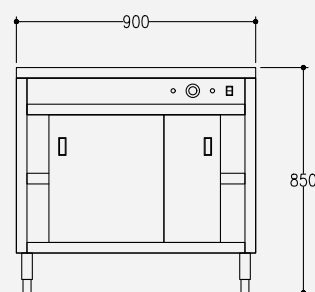
## ELECTRIC HEATING CABINET

*Heating Cabinets* designed to hold hot, prepared food items at safe, proper serving temperatures. These will keep cooked foods hot, fresh, and out of temperature danger zones until customers are ready to order. Ours are equipped with a cabinet warming capacity, middle shelf and a plate warmer.

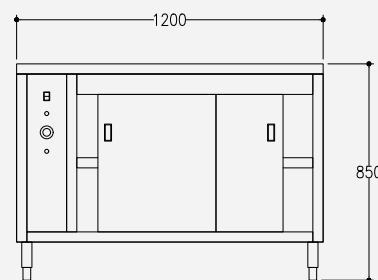
Kabinet pemanas didesain untuk menyimpan dan menjaga hidangan panas agar tetap berada di temperatur sajian. Dengan begitu, maka hidangan akan tetap panas, segar dan berada dalam suhu yang aman untuk dihidangkan kepada tamu. Kabinet kami dilengkapi dengan kabinet pemanas, rak tengah dan pemanas piring.



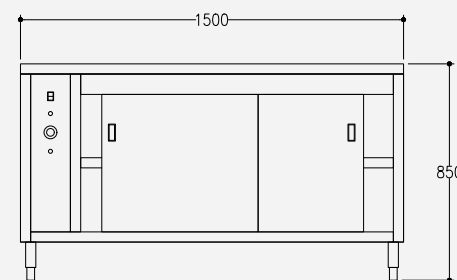
MODEL	EHC-157585	EHC-127585	EHC-097585
Dimension [WxDxH in mm]	1500 x 750 x 850	1200 x 750 x 850	900 x 750 x 850
Power Consumption	2 KW	1.5 KW	1 KW
Electricity	220 V / 50 Hz / 1 Ø	220 V / 50 Hz / 1 Ø	220 V / 50 Hz / 1 Ø
Packaging Volume [m <sup>3</sup> ]	1.12	0.90	0.68
Weight [Kg]	98.0	84.0	71.0



FRONT VIEW



FRONT VIEW



FRONT VIEW

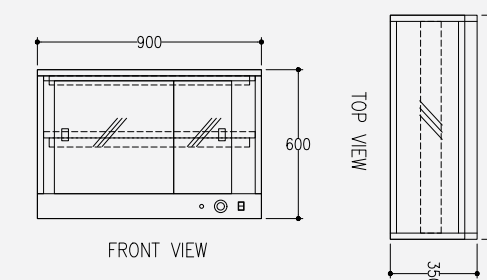
## ELECTRIC WARMER SHOWCASE PORTABLE

*Food Warmer* with warming capacity. For little space for display cabinets, a drop-in heated display case fits directly into your available counter space.

Penghangat makanan dengan kemampuan memanaskan. Cocok digunakan pada ruang/*space* minimum untuk *display* yang tersedia pada meja *counter* di dapur anda.



MODEL	ESP-093560
Dimension [WxDxH in mm]	900 x 350 x 600
Power Consumption	0.5 KW
Electricity	220 V / 50 Hz / 1 Ø
Packaging Volume [m <sup>3</sup> ]	0.38
Weight [Kg]	28.0



FRONT VIEW

TOP VIEW

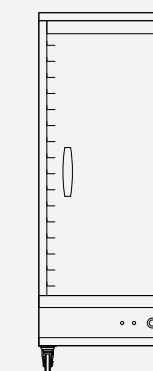
## ELECTRIC BANQUETE WARMER TROLLEY

Fully working *Heated Banquet Trolley* keeps prepared foods at serving temperatures while provides mobility when fully loaded. This is to make sure your foods are still at the highest quality without dissatisfying your guest. Door-locking system for security are also included.

Pemanas *Banquet Trolley* berguna untuk menyimpan hidangan yang sudah disiapkan namun tetap memiliki fungsi mobilitas/siap dipindah-pindah sesuai kebutuhan, untuk memastikan makanan anda akan tetap terjaga, dan berada pada kualitas terbaik, sekaligus tidak mengecewakan tamu anda. Sistem pengamanan pada pintu juga tersedia.



MODEL	EBT-148517	EBT-078517
Dimension [WxDxH in mm]	1480 x 850 x 1795	715 x 850 x 1795
Capacity	42 x GN 2/1	21 x GN 2/1
Wheel	2 Swivels	2 Swivels
	2 Swivels w/ Brake	2 Swivels w/ Brake
Power Consumption	2 KW	1.5 KW
Electricity	220 V / 50 Hz / 1 Ø	220 V / 50 Hz / 1 Ø
Packaging Volume [m <sup>3</sup> ]	2.85	1.45
Weight [Kg]	195.0	123.0



FRONT VIEW



## WORK TABLE STANDARD AND W/ BACK SPLASH

Free standing *S/S (Stainless-Steel)* kitchen *Work Table*, makes it easy to place anywhere you want it in the kitchen. Gives you extra storage, utility and work space. Custom *Over-Shelf* option can be added depends on your spaces. Customization and tiers/levels are available upon request.



Meja kerja dapur berbahan *S/S (Stainless-Steel)* ini sangat mudah diletakkan dimanapun di dapur anda, dan mampu memberikan ruang ekstra, baik untuk penyimpanan, penggunaan maupun untuk kerja dan beraktivitas. Desain opsi *Over-Shelf* juga bisa ditambahkan tergantung kebutuhan anda. Desain khusus dan jumlah rak tingkat tersedia sesuai permintaan.

MODEL	WTS-157585	WTS-127585	WTS-097585	WTS-047585
Dimension [WxDxH in mm]	1500 x 750 x 850/950	1200 x 750 x 850/950	900 x 750 x 850/950	400 x 750 x 850/950
Packaging Volume [m <sup>3</sup> ]	0.33	0.27	0.25	0.10
Weight [Kg]	30.0	25.0	21.0	14.0

MODEL	WTO-157585	WTO-127585	WTO-097585	WTO-047585
Dimension [WxDxH in mm]	1500 x 750 x 850	1200 x 750 x 850	900 x 750 x 850	400 x 750 x 850
Packaging Volume [m <sup>3</sup> ]	0.33	0.27	0.25	0.10
Weight [Kg]	29.0	25.0	20.0	13.0



We also provide customization for solving your kitchen space problems, by adding the single or double *Over-Shelf Section* for your *Work Table/Counter*.

Please look into the next page (p. 28) to see available options regarding this additional over-shelf table.

Kami juga menyediakan alternatif produk untuk memecahkan masalah ruang di dapur anda, salah satunya dengan menambahkan rak tambahan untuk konter/meja kerja dapur anda.

Silahkan lihat halaman selanjutnya (hal. 28) untuk melihat opsi yang tersedia mengenai rak tambahan ini.

## MADE IN STAINLESS

Boldly designed kitchen equipments and furniture to create a premium, exclusive looks inside your own kitchen.

We manufactures *Stainless-Steel* equipments and furnitures, such as cabinets and countertops, work table, sinks and trolley for residential, commercial or institutional use.

*Stainless-Steel* is not only practical, it's also extremely versatile, strong, durable and easy to keep clean.

Our equipments and furnitures are available in **Standard** and **Custom** sizes.

We pride ourselves on the quality of design and premium materials used in our cabinets and other products.

**PRODUCT LIST / PAGE**

- Work Table \_\_\_\_\_ 27
- Rack and Shelves: Solid Rack \_\_\_\_\_ 28
- Rack and Shelves: Punch Rack \_\_\_\_\_ 28
- Rack and Shelves: Over Shelf \_\_\_\_\_ 28
- Rack and Shelves: Wall Shelf \_\_\_\_\_ 29
- Cabinets W/ Back Splash \_\_\_\_\_ 30
- Cabinets W/O Back Splash \_\_\_\_\_ 31
- Wall Cabinets \_\_\_\_\_ 32
- Sink Table W/ Back Splash \_\_\_\_\_ 34
- Sink Table W/O Back Splash \_\_\_\_\_ 35
- Exhaust Hood \_\_\_\_\_ 36
- Grease Trap \_\_\_\_\_ 37
- Trolley Services \_\_\_\_\_ 38
- Cocktail Station \_\_\_\_\_ 39



Customizable Furniture



Made in *Stainless-Steel*



One Year Warranty\*



\* One Year Warranty for Service and Parts or Factory Defect.



## RACK AND SHELVES

### SOLID RACK AND PUNCH RACK

*Solid or Punch Shelf* section with four levels of neutral working surface, will keep your kitchen organized, which is important for every successful cooking process.

Will stands steady on an uneven floor since the feet can be adjusted.

Please note that the maximum load capacity is up to **100 Kg/tiers**  
Also available in three different sizes.

Rak yang memiliki permukaan rata atau lubang kecil yang dilengkapi dengan empat susun/tingkat untuk memastikan dapur anda tetap rapi dan tertata.

Kaki rak yang bisa diatur ketinggiannya membuat rak kami bisa berdiri kokoh pada lantai yang tidak rata.

Beban maksimum adalah **100 Kg/ambalan**.

Tersedia dalam tiga ukuran berbeda.



**SOLID RACK**

Rak dengan permukaan solid polos/rata.



**PUNCH RACK**

Rak dengan permukaan berlubang-lubang kecil.

MODEL	SR4-155015	SR4-125015	SR4-095015
Dimension [WxDxH in mm]	1500 x 500 x 1545	1200 x 500 x 1545	900 x 500 x 1545
Features	Solid Shelf	Solid Shelf	Solid Shelf
Load Capacity / Tiers	100 Kg	100 Kg	100 Kg
Packaging Volume [m <sup>3</sup> ]	1.54	1.15	0.96
Weight [Kg]	33.0	29.0	25.0

## RACK AND SHELVES

### SINGLE/DOUBLE TABLE OVER-SHELF

An additional storage space for our *Work Table/Counter*. Our single or double table over-shelf, made from *Stainless-Steel* is the units you need to make the most of the space you have in your kitchen.

Ruang tambahan untuk konter/meja kerja dapur anda. Rak tunggal atau dobel kami yang terbuat dari *Stainless-Steel* adalah unit penyimpanan ekstra yang tepat untuk dapur anda.

MODEL	DTW-153075	DTW-123075	DTW-093075	STW-153045	STW-123045	STW-093045
Dimension [WxDxH in mm]	1500 x 300 x 750	1200 x 300 x 750	900 x 300 x 750	1500 x 300 x 450	1200 x 300 x 450	900 x 300 x 450
Load Capacity/Shelf	90 Kg	90 Kg	90 Kg	90 Kg	90 Kg	90 Kg
Packaging Volume [m <sup>3</sup> ]	0.55	0.44	0.35	0.35	0.28	0.22
Weight [Kg]	17.5	15.0	12.0	9.5	8.0	7.0

## RACK AND SHELVES

### WALL SHELF

Simple *Wall Shelf*, made in *S/S (Stainless-Steel)* a hygienic, strong and durable material that is easy to keep clean.

Brackets and pipe surface are optional.

Please note that the maximum load capacity is up to **25 Kg**. Also available in three different sizes.

Rak dinding sederhana berbahan *S/S (Stainless-Steel)*, material yang higienis, kuat, tahan lama dan mudah dijaga kebersihannya. Penggunaan siku rak dan pipa adalah opsional.

Maksimum kapasitas beban hingga **25 Kg**. Tersedia dalam tiga ukuran berbeda.



MODEL	SWS-153015	SWS-123015	SWS-093015
Dimension [WxDxH in mm]	1500 x 300 x 150	1200 x 300 x 150	900 x 300 x 150
Load Capacity	25 Kg	25 Kg	25 Kg
Packaging Volume [m <sup>3</sup> ]	0.16	0.13	0.10
Weight [Kg]	5.7	4.9	4.1

MODEL	PR4-155015	PR4-125015	PR4-095015
Dimension [WxDxH in mm]	1500 x 500 x 1545	1200 x 500 x 1545	900 x 500 x 1545
Features	Punch Shelf	Punch Shelf	Punch Shelf
Load Capacity / Tiers	100 Kg	100 Kg	100 Kg
Packaging Volume [m <sup>3</sup> ]	1.54	1.15	0.96
Weight [Kg]	31.0	27.0	23.0

## CABINETS W/ BACK SPLASH

SLIDING DOORS, SWING DOORS, OPEN CABINET

This selection of *Stainless-Steel* and customisable *Counter Cabinet* are equipped with three doors options, from sliding doors, swing doors or open cabinet and a higher back splash, leg with adjustable height, removable solid middle shelf with optional key lock.

Our cabinet is made in *Stainless-Steel*, a strong and durable surface that is easy to keep clean and also available in three sizes, depends on your needs.

Konter/Meja kabinet *Stainless-Steel* personalisasi kami dilengkapi dengan tiga pilihan pintu, mulai dari pintu geser, pintu ayun maupun terbuka/tanpa pintu, dan dilengkapi juga dengan *back splash*/dinding belakang, kaki meja yang bisa disesuaikan, rak tengah yang bisa dicopot dan kunci pintu opsional. Terbuat dari *Stainless-Steel*, *material* kokoh dan tahan lama, serta mudah dibersihkan.

Tersedia dalam tiga variasi ukuran tergantung kebutuhan.



MODEL	CSS-157585	CWS-157585	COS-157585				
Dimension [WxDxH in mm]	1500 x 750 x 850/950	1500 x 750 x 850/950	1500 x 750 x 850/950				
Features	Sliding Doors	Swing Doors	Open Cabinet				
Pack. V.	Weight	1.36 m <sup>3</sup>	91.0 Kg	1.36 m <sup>3</sup>	91.0 Kg	1.36 m <sup>3</sup>	64.0 Kg

MODEL	CSS-127585	CWS-127585	COS-127585				
Dimension [WxDxH in mm]	1200 x 750 x 850/950	1200 x 750 x 850/950	1200 x 750 x 850/950				
Features	Sliding Doors	Swing Doors	Open Cabinet				
Pack. V.	Weight	1.10 m <sup>3</sup>	78.0 Kg	1.10 m <sup>3</sup>	78.0 Kg	1.10 m <sup>3</sup>	54.0 Kg

MODEL	CSS-097585	CWS-097585	COS-097585				
Dimension [WxDxH in mm]	900 x 750 x 850/950	900 x 750 x 850/950	900 x 750 x 850/950				
Features	Sliding Doors	Swing Doors	Open Cabinet				
Pack. V.	Weight	0.85 m <sup>3</sup>	65.0 Kg	0.85 m <sup>3</sup>	65.0 Kg	0.85 m <sup>3</sup>	44.0 Kg

## CABINETS W/O BACK SPLASH

SLIDING DOORS, SWING DOORS, OPEN CABINET

If back splash are not applicable in your kitchen, either because of restrictions on altering the work space or any else, we also offering customisable *Counter Cabinet* which features three doors options, from sliding doors, swing doors or open cabinet, leg with adjustable height, removable solid middle shelf with optional key lock.

Our cabinet is made in *Stainless-Steel*, a strong and durable surface that is easy to keep clean.

Available in three sizes, depends on your needs.

Apabila tidak memungkinkan adanya *back splash*/dinding belakang pada dapur anda, kami juga menawarkan konter/meja kabinet *Stainless-Steel* tanpa dinding belakang yang dilengkapi dengan tiga pilihan pintu, mulai dari pintu geser, pintu ayun maupun terbuka/tanpa pintu, dan memiliki kaki meja yang bisa disesuaikan, rak tengah yang bisa dicopot dan kunci pintu opsional. Terbuat dari *Stainless-Steel*, *material* kokoh dan tahan lama, serta mudah dibersihkan. Tersedia dalam tiga variasi ukuran tergantung kebutuhan.



MODEL	CSO-157585	CWO-157585	COO-157585				
Dimension [WxDxH in mm]	1500 x 750 x 850	1500 x 750 x 850	1500 x 750 x 850				
Features	Sliding Doors	Swing Doors	Open Cabinet				
Pack. V.	Weight	1.20 m <sup>3</sup>	89.0 Kg	1.20 m <sup>3</sup>	89.0 Kg	1.20 m <sup>3</sup>	63.0 Kg

MODEL	CSO-127585	CWO-127585	COO-127585				
Dimension [WxDxH in mm]	1200 x 750 x 850	1200 x 750 x 850	1200 x 750 x 850				
Features	Sliding Doors	Swing Doors	Open Cabinet				
Pack. V.	Weight	1.10 m <sup>3</sup>	77.0 Kg	1.10 m <sup>3</sup>	77.0 Kg	1.10 m <sup>3</sup>	53.0 Kg

MODEL	CSO-097585	CWO-097585	COO-097585				
Dimension [WxDxH in mm]	900 x 750 x 850	900 x 750 x 850	900 x 750 x 850				
Features	Sliding Doors	Swing Doors	Open Cabinet				
Pack. V.	Weight	0.80 m <sup>3</sup>	64.0 Kg	0.80 m <sup>3</sup>	64.0 Kg	0.80 m <sup>3</sup>	43.0 Kg



MODEL		WHS-153860		WHW-153860		WHO-153860	
Dimension [WxDxH in mm]		1500 x 380 x 600		1500 x 380 x 600		1500 x 380 x 600	
Features		Sliding Doors		Swing Doors		Open Cabinet	
Packaging Volume	Weight	0.56 m <sup>3</sup>	46.0 Kg	0.56 m <sup>3</sup>	46.0 Kg	0.56 m <sup>3</sup>	37.0 Kg

MODEL		WHS-123860		WHW-123860		WHO-123860	
Dimension [WxDxH in mm]		1200 x 380 x 600		1200 x 380 x 600		1200 x 380 x 600	
Features		Sliding Doors		Swing Doors		Open Cabinet	
Packaging Volume	Weight	0.45 m <sup>3</sup>	38.0 Kg	0.45 m <sup>3</sup>	38.0 Kg	0.45 m <sup>3</sup>	31.0 Kg

MODEL		WHS-093860		WHW-093860		WHO-093860	
Dimension [WxDxH in mm]		900 x 380 x 600		900 x 380 x 600		900 x 380 x 600	
Features		Sliding Doors		Swing Doors		Open Cabinet	
Packaging Volume	Weight	0.35 m <sup>3</sup>	31.0 Kg	0.35 m <sup>3</sup>	31.0 Kg	0.35 m <sup>3</sup>	24.0 Kg



## WALL CABINETS

### SLIDING DOORS, SWING DOORS, OPEN CABINET

Our *Wall Cabinets* are built around you. You can combine them in any way you like, so you're sure to be able to create a kitchen that works perfectly for you and all your stuff. It is equipped with three doors options, from sliding door, swing door or open cabinet, two levels of solid shelves and optional key lock.

Our cabinet is made in *Stainless-Steel*, a strong and durable surface that is easy to keep clean and also available in three different sizes.

Kabinet dinding kami diciptakan dengan memperhatikan sekeliling anda. Anda bisa mengkombinasikannya sebagaimana yang anda inginkan, sehingga anda bisa menciptakan sebuah dapur yang bekerja sempurna untuk anda dan barang-barang dapur anda.

Dilengkapi dengan tiga pilihan pintu, mulai dari pintu geser, pintu ayun maupun terbuka/tanpa pintu, dan dua tingkat rak tengah dan kunci pintu opsional.

Terbuat dari *Stainless-Steel*, *material* kokoh dan tahan lama, serta mudah dibersihkan.

Tersedia dalam tiga variasi ukuran tergantung kebutuhan anda.

## SINK TABLE W/ BACK SPLASH

### DOUBLE SINK, SINGLE SINK AND POT SINK

Suitable for every kitchens, our *Sink Table* has been designed to help you with an effective cleaning space.

There are three variants available, *Double Sink, Single Sink* or *Pot Sink*, with customizable sink position.

Made from our special *Stainless-Steel*. they are incredibly tough, durable and are easy to wipe clean.

It also equipped with back splash, adjustable leg and a working draining system for cleaning dishes.

Overflow and undershelf features are also available upon request.

Meja bak cuci kami cocok untuk kebutuhan setiap dapur dan didesain untuk membantu anda menciptakan ruang cuci yang efektif.

Tersedia dalam tiga variasi, yaitu *Double Sink, Single Sink* ataupun *Pot Sink*, dengan opsi posisi *sink/bak* yang bisa disesuaikan.

Terbuat dari *Stainless-Steel* yang kuat, tahan lama dan mudah dibersihkan.

Dilengkapi dengan *back splash/dinding* belakang, kaki meja yang bisa disesuaikan, dan sistem pipa kuras untuk mencuci piring sajian.

*Overflow* dan fitur rak di bawah meja juga tersedia tergantung keinginan.



#### INLET DIAMETER (INCH)

Water Inlet : 1/2"  
Drainage Pipe : 1 1/2"

#### DOUBLE SINK TABLE W/ BACK SPLASH R/L/C

MODEL	DSS-157585		DSS-127585		
Dimension [WxDxH in mm]	1500 x 750 x 850/950		1200 x 750 x 850/950		
Volume	Bowl in mm [WxDxH]	2 x 75 Liters	500 x 500 x 300	2 x 75 Liters	500 x 500 x 300
Pack. V.	Weight	1.36 m <sup>3</sup>	29.0 Kg	1.10 m <sup>3</sup>	26.0 Kg

#### SINGLE SINK TABLE W/ BACK SPLASH R/L/C

MODEL	SSS-157585		SSS-127585		SSS-097585		
Dimension [WxDxH in mm]	1500 x 750 x 850/950		1200 x 750 x 850/950		900 x 750 x 850/950		
Volume	Bowl in mm [WxDxH]	75 Liters	500 x 500 x 300	75 Liters	500 x 500 x 300	75 Liters	500 x 500 x 300
Pack. V.	Weight	1.36 m <sup>3</sup>	26.5 Kg	1.10 m <sup>3</sup>	23.5 Kg	0.85 m <sup>3</sup>	20.5 Kg

#### POT SINK TABLE W/ BACK SPLASH

MODEL	PSS-127585		PSS-907585		PSS-757585		
Dimension [WxDxH in mm]	1200 x 750 x 850/950		900 x 750 x 850/950		750 x 750 x 850/950		
Volume	Bowl in mm [WxDxH]	150 Liters	1000 x 500 x 300	112 Liters	700 x 500 x 300	90 Liters	550 x 500 x 300
Pack. V.	Weight	1.10 m <sup>3</sup>	36.0 Kg	0.85 m <sup>3</sup>	30.0 Kg	0.70 m <sup>3</sup>	27.0 Kg

## SINK TABLE W/O BACK SPLASH

### DOUBLE SINK, SINGLE SINK AND POT SINK

We are also offering customization sink table if back splash is not applicable in your kitchen.

There are three variants available, *Double Sink, Single Sink* or *Pot Sink*, with customizable sink position.

Made from our special *Stainless-Steel*. they are incredibly tough, durable and are easy to wipe clean.

It also equipped with adjustable leg and a working draining system for cleaning dishes.

Overflow and undershelf features are also available upon request.

Kami juga menawarkan customisasi meja bak cuci kami, apabila opsi *back splash/dinding* belakang tidak memungkinkan pada dapur anda.

Tersedia dalam tiga variasi, *Double Sink, Single Sink* ataupun *Pot Sink*, dengan opsi posisi *sink/bak* yang bisa disesuaikan.

Terbuat dari *Stainless-Steel* yang kuat, tahan lama dan mudah dibersihkan.

Dilengkapi dengan kaki meja yang bisa disesuaikan, dan sistem pipa kuras untuk mencuci piring sajian.

*Overflow* dan fitur rak di bawah meja juga tersedia tergantung keinginan.



#### INLET DIAMETER (INCH)

Water Inlet : 1/2"  
Drainage Pipe : 1 1/2"

#### DOUBLE SINK TABLE W/O BACK SPLASH R/L/C

MODEL	DSO-157585		DSO-127585		
Dimension [WxDxH in mm]	1500 x 750 x 850		1200 x 750 x 850		
Volume	Bowl in mm [WxDxH]	2 x 75 Liters	500 x 500 x 300	2 x 75 Liters	500 x 500 x 300
Pack. V.	Weight	0.63 m <sup>3</sup>	28.0 Kg	0.50 m <sup>3</sup>	25.0 Kg

#### SINGLE SINK TABLE W/O BACK SPLASH R/L/C

MODEL	SSO-157585		SSO-127585		SSO-097585		
Dimension [WxDxH in mm]	1500 x 750 x 850		1200 x 750 x 850		900 x 750 x 850		
Volume	Bowl in mm [WxDxH]	75 Liters	500 x 500 x 300	75 Liters	500 x 500 x 300	75 Liters	500 x 500 x 300
Pack. V.	Weight	1.30 m <sup>3</sup>	25.5 Kg	1.00 m <sup>3</sup>	23.0 Kg	0.80 m <sup>3</sup>	19.0 Kg

#### POT SINK TABLE W/O BACK SPLASH

MODEL	PSO-127585		PSO-907585		PSO-757585		
Dimension [WxDxH in mm]	1200 x 750 x 850		900 x 750 x 850		750 x 750 x 850		
Volume	Bowl in mm [WxDxH]	150 Liters	1000 x 500 x 300	112 Liters	700 x 500 x 300	90 Liters	550 x 500 x 300
Pack. V.	Weight	1.00 m <sup>3</sup>	35.0 Kg	0.80 m <sup>3</sup>	29.0 Kg	0.70 m <sup>3</sup>	26.0 Kg



## EXHAUST HOOD

### WALL-MOUNTED AND ISLAND-TYPE

To provide fast and efficient removal of smoke, odors and grease from your kitchen, we provide our *Stainless-Steel Exhaust Hood*. We are offering *Wall-Mounted* or *Island-Type* of *Exhaust Hood* depends on what kind of hood that will suits your kitchen. Keep your kitchen smelling fresh with Alumunium or *Stainless-Steel* exhaust filter.

Additional hood lamps or lights to brightens up your cooktop for extra convenience are also available.

Kami menyediakan *Exhaust Hood* berbahan *Stainless-Steel*, untuk menghisap asap, bau, dan minyak secara cepat dan efisien di dapur anda. Adapun kami menawarkan model dinding maupun model yang dlpasangkan di tengah-tengah ruangan, tergantung kebutuhan anda.

Anda bisa menjaga agar udara dapur anda tetap segar dengan filter udara Alumunium ataupun *Stainless-Steel*.

Lampu cerobong tambahan untuk menerangi areal memasak anda juga tersedia.



MODEL	WEH-1235	WEH-0935	IEH-35
Dimension [WxDxH in mm]	1200 x 900 x 350/500	900 x 900 x 350/500	VOS x 350/500
Features	Wall-Mounted	Wall-Mounted	Island-Type
Packaging Volume [m <sup>3</sup> ]	0.78	0.60	VOS
Weight [Kg]	32.0	26.0	-

## EXHAUST HOOD

### CUSTOM EXHAUST HOOD

An *Exhaust Hood* is one of the largest and most prominent items in a kitchen.

Have a custom *Stainless-Steel Exhaust Hood* built by our professional craftsmen and team to match/suit your kitchen.

Every hood we build includes drawings for customer approval, before construction begins.

Contact us for more details regarding the *Special Hood* for your kitchen.

*Exhaust Hood* adalah salah satu peralatan terbesar dan terutama dalam sebuah dapur.

Dapatkan sebuah *Exhaust Hood Stainless-Steel* sesuai dengan dapur anda, yang dirancang oleh tim kerja profesional kami.

Setiap model akan diajukan dengan gambar rancangan untuk disetujui oleh anda, sebelum pengerjaan dimulai.

Kontak kami untuk detil dan informasi lebih lanjut mengenai *Exhaust Hood* spesial untuk dapur anda.

## GREASE TRAP

The *Stainless-Steel Grease Trap* is the best solution for keeping your drains clear and flowing smoothly.

We can make it more than a sink, by creating a personalize filtering *Grease Trap* to suits whatever your kitchen needs, letting you concentrate on your foods rather than your drain.

*Grease Trap* are available in three different sizes, depends on your needs and perfectly compatible with any of our *Stainless-Steel* furniture/equipment.



Alat perangkap atau alat penyaring minyak kami terbuat dari *Stainless-Steel* merupakan solusi terbaik agar saluran pipa kuras anda tetap bersih dan lancar.

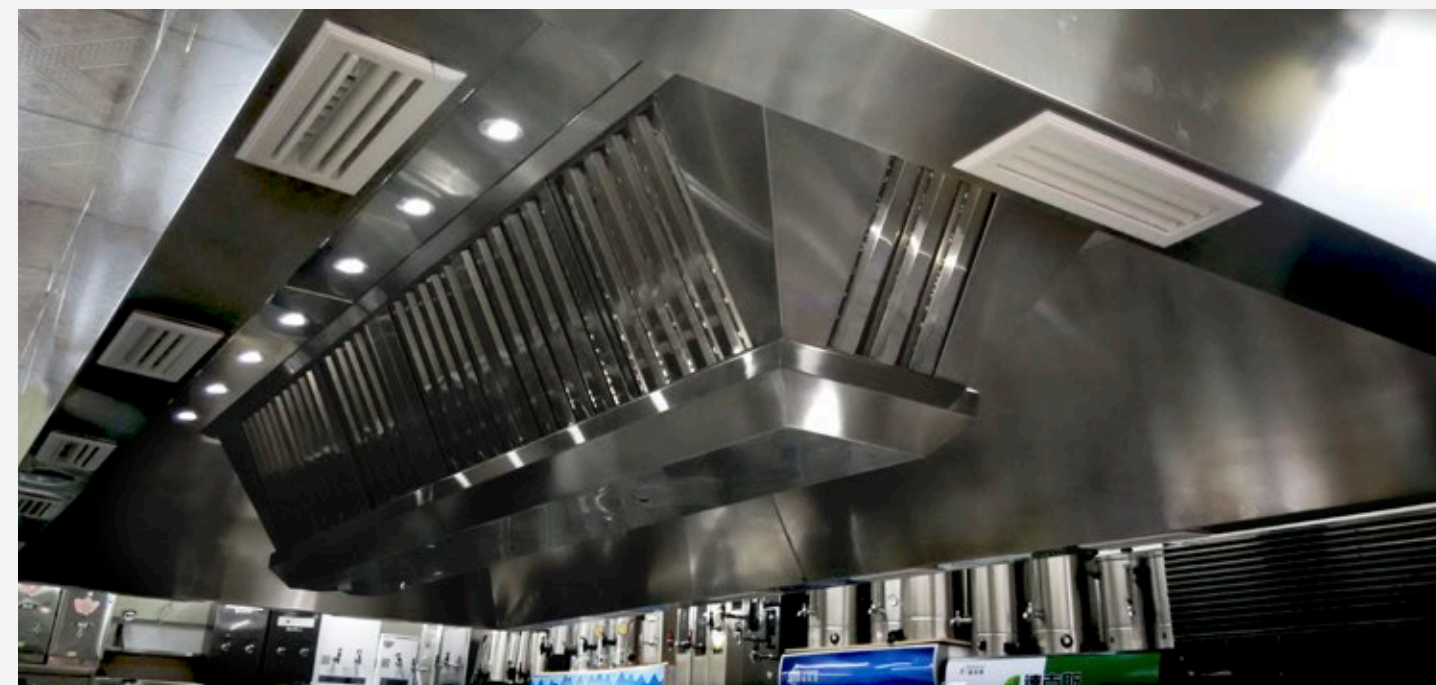
Kita bisa membuat bak anda lebih baik, dengan menciptakan penyaring minyak yang disesuaikan dengan kebutuhan anda. Anda bisa berkonsentrasi dengan makanan anda, bukan dengan pipa kuras anda.

Perangkap/Penyaring minyak kami tersedia dalam tiga ukuran berbeda, tergantung kebutuhan anda dan kompatibel sepenuhnya dengan produk/perengkapan *Stainless-Steel* kami.

### INLET DIAMETER

Water Inlet Diameter [inch]	1 1/2"
Drainage Pipe [inch]	2"

MODEL	AGT-060325	AGT-040325	AGT-030325
Dimension [WxDxH in mm]	600 x 300 x 250	400 x 300 x 250	300 x 300 x 250
Volume	57 Liters	36 Liters	22.5 Liters
Packaging Volume [m <sup>3</sup> ]	0.13	0.06	0.04
Weight [Kg]	11.0	9.0	8.0



## TROLLEY SERVICES

### LOAD TRANSFER TROLLEY

*Utility Trolley*, specially designed for transporting goods. Equipped with heavy duty industrial wheel and *Stainless-Steel* hand rail, for easy loading and moving. Made in *Stainless-Steel*, a strong and durable surface that is easy to keep clean.

Troli dengan banyak kegunaan, khususnya untuk mengantar barang. Dilengkapi dengan roda alat berat dan pegangan tangan *Stainless-Steel* untuk memudahkan bongkar muat dan menggerakkannya. Terbuat dari bahan *Stainless-Steel* yang kuat dan tahan lama, serta mudah dibersihkan.



MODEL	LTT-074590
Dimension [WxDxH in mm]	700 x 450 x 900
Load Capacity	150 Kg
Wheel	2 Swivels
	2 Swivels w/ Brake
Packaging Volume [m <sup>3</sup> ]	0.36
Weight [Kg]	12.1

## TROLLEY SERVICES

### BAKERY RACK TROLLEY

Our mobile, durable *Stainless-Steel Bakery Rack* is a must-have for any commercial bakeries, cafeterias, or restaurants.

The sheet pan racks are designed to store and transport foods which allows you to store 16 sheet pans safely. Also equipped with heavy-duty wheels for easy-movement, to save valuable floor space in any kitchen.

Rak kue *Stainless-Steel* kami yang tahan lama dan mudah digerakkan menjadikannya sebuah perangkat yang harus dimiliki oleh toko roti, kue, kafe ataupun restoran. Rak pan kue kami didesain untuk menyimpan dan membawa 16 susun nampan dengan baik. Dilengkapi pula dengan roda alat berat yang mudah digerakkan untuk menghemat tempat di dapur anda.



MODEL	BRT-046016
Dimension [WxDxH in mm]	430 x 630 x 1600
Capacity	16 Bakery Trays
Wheel	2 Swivels
	2 Swivels w/ Brake
Packaging Volume [m <sup>3</sup> ]	0.69
Weight [Kg]	20.1

## TROLLEY SERVICES

### FOOD SERVICE TROLLEY

Gives you extra storage in your kitchen without the expense of a remodel. Equipped with wheels for a mobile solution you can roll anywhere you need it. Featuring three mobile working surfaces for storing foods, dishes or ingredients.

Tempat penyimpanan ekstra di dapur anda tanpa harus mengubah ulang model dapur anda. Dilengkapi dengan roda sebagai solusi yang bisa berpindah dan digeser kemana saja. Terdiri dari tiga rak susun untuk menyimpan makanan, hidangan maupun bahan masakan anda.



MODEL	FST-085296
Dimension [WxDxH in mm]	825 x 520 x 965
Load Capacity	40 Kg
Wheel	2 Swivels
	2 Swivels w/ Brake
Packaging Volume [m <sup>3</sup> ]	0.51
Weight [Kg]	17.0

## COCKTAIL STATION

The perfect bar station for you, made with *Stainless-Steel*. You will find *Cocktail Station* with sink, ice bin, blender station and speed rail inside. This is suitable for rinsing glasses, fruit goblets, drinking cups and dishes.

The *Stainless-Steel* bar are also available in two variants of size to suit whatever your bar needs.

Terbuat dari bahan *Stainless-Steel*, ini adalah sistem *Bar* yang sempurna untuk anda, dilengkapi dengan bak cuci, penyimpanan es, tempat blender dan *rail* pegangan.

Cocok untuk mencuci dan mengeringkan gelas, cangkir ataupun perlengkapan minuman lainnya.

*Stainless-Steel Bar* kami tersedia dalam dua variasi ukuran, tergantung kebutuhan anda.



MODEL	CST-127585	CST-107585
Dimension [WxDxH in mm]	1200 x 750 x 850/950	1000 x 750 x 850/950
Volume	48 Liters	48 Liters
Ice Bin Volume	90 Liters	67.5 Liters
Water Inlet Diameter [inch]	1/2"	1/2"
Drainage Pipe [inch]	1/2"	1/2"
Packaging Volume [m <sup>3</sup> ]	0.97	0.84
Weight [Kg]	59.4	56.1





## BE COOL AS YOU WANT IT

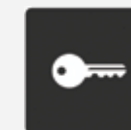
Outfit your kitchen or establishment with cool, stylish refrigeration system, to keep everything fresh, and within your reach.

The days of the boring old chillers or freezers are gone. Today, kitchen and establishments are constantly demanding refrigeration system outside the (ice) box to suits their needs. We are offering wide variety of refrigeration system, combining new technologies, designs and features into your kitchen, depends on what your kitchen or establishments needs.

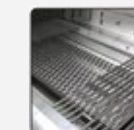
From Solid Door to Full Glass doors chiller or freezer, we have the perfect fridge for your kitchen or establishments.

### PRODUCT LIST / PAGE

Upright Cabinet Chiller	_____	42
Upright Cabinet Freezer	_____	42
Under Counter Cabinet Chiller	_____	43
Under Counter Cabinet Freezer	_____	44
Cake Showcase	_____	45



Door Lock Included.



Stainless Adjustable Rack.



LED Display Temperature.



Danfoss/Aspera Compressor.



Refrigerants R404A/R134A.



One Year Warranty.\*

\* One Year Warranty for Service and Parts or Factory Defect.



## UPRIGHT CABINET CHILLER FULL GLASS DOORS

Adjustable racks and castrol wheels with door lock are included. Equipped with Interior and Canopy lamps, LED Display for temperature, two layers of hallow glass (one outside layer is tempered glass), self closing glass doors, hinged fan cover added for easy maintenance.

Sudah termasuk rak yang bisa ditata-ulang, roda *castrol* dan kunci. Dilengkapi dengan lampu *canopy* dan interior, *display LED*, dua lapisan kaca *hallow* (lapisan luar adalah kaca *tempered*), pintu yang bisa menutup sendiri dan penutup kipas tempel yang mudah dibersihkan.



MODEL	BC-SC810	BC-SC510	BC-SC410
Dimension [WxDxH in mm]	1120 x 610 x 1973	700 x 610 x 1973	610 x 610 x 1973
Volume	810 Liters	510 Liters	410 Liters
Capacity	8 Shelf	4 Shelf	4 Shelf
Temperature	0° to 10° C	0° to 10° C	0° to 10° C
Refrigerant	R134A	R134A	R134A
Watt	400 W	335 W	285 W
Weight [Kg]	113.0	80.0	72.0

## UPRIGHT CABINET CHILLER SOLID DOORS

Built for commercial kitchen. Adjustable rack, door lock and LED Display for temperature are included. Equipped with Castrol wheels, *Danfoss* or *Aspera* Compressor and Refrigerant **R134A**. Made in *Stainless-Steel*.

Dirancang khusus untuk dapur komersil. Sudah termasuk rak yang bisa ditata-ulang, kunci pintu dan *Display* suhu LED. Dilengkapi dengan roda *castrol*, kompresor *Danfoss* atau *Aspera*, dan pendingin **R134A**. Terbuat dari *Stainless-Steel*.



MODEL	BC-URC6	BC-URC4	BC-URC2
Dimension [WxDxH in mm]	1800 x 750 x 1960	1200 x 750 x 1960	600 x 750 x 1960
Volume	1650 Liters	1100 Liters	550 Liters
Temperature	2° to 8° C	2° to 8° C	2° to 8° C
Refrigerant	R134A	R134A	R134A
Watt	800 W	560 W	490 W
Weight [Kg]	200.0	150.0	105.0

## UPRIGHT CABINET CHILLER GLASS SHOWCASE

Designed for showcasing. Adjustable rack, door lock and LED Display for temperature are included. Equipped with two layers of hallow glass (one outside layer is tempered glass), Castrol wheels, *Danfoss* or *Aspera* Compressor and Refrigerant **R134A**.

Didesain untuk menampilkan/*showcase*. Sudah termasuk rak yang bisa ditata-ulang, kunci pintu dan *Display* suhu LED. Dilengkapi dengan dua lapisan kaca *hallow* (lapisan luar adalah kaca *tempered*), roda *castrol*, kompresor *Danfoss* atau *Aspera*, dan pendingin **R134A**.



MODEL	BC-SC1500	BC-SC1000
Dimension [WxDxH in mm]	1800 x 730 x 1930	1200 x 730 x 1930
Volume	1500 Liters	1000 Liters
Capacity	15 Shelf	10 Shelf
Temperature	2° to 8° C	2° to 8° C
Refrigerant	R134A	R134A
Watt	800 W	600 W
Weight [Kg]	185.0	165.0

## UPRIGHT CABINET FREEZER SOLID DOORS AND GLASS DOORS (BC-SF500)

Built for commercial kitchen. Adjustable rack, door lock and LED Display for temperature are included. Equipped with Castrol wheels, *Danfoss* or *Aspera* Compressor and Refrigerant **R404A**. Made in *Stainless-Steel*.

Dirancang khusus untuk dapur komersil. Sudah termasuk rak yang bisa ditata-ulang, kunci pintu dan *Display* suhu LED. Dilengkapi dengan roda *castrol*, kompresor *Danfoss* atau *Aspera*, dan pendingin **R404A**. Terbuat dari *Stainless-Steel*.



MODEL	BC-URF6	BC-URF4	BC-URF2	BC-SF500
Dimension [WxDxH in mm]	1800 x 750 x 1960	1200 x 750 x 1960	600 x 750 x 1960	670 x 800 x 1980
Volume	1650 Liters	1100 Liters	550 Liters	400 Liters
Temperature	-18° to -21° C	-18° to -21° C	-18° to -21° C	-18° to -21° C
Refrigerant	R404A	R404A	R404A	R404A
Watt	1440 W	800 W	600 W	731.5 W
Weight [Kg]	200.0	150.0	105.0	137.0



## UNDERCOUNTER CABINET CHILLER SOLID AND GLASS DOORS

Suitable to keep vegetables, fruits, packaged beverages and milk. Adjustable rack, door lock and LED Display for temperature are included. Equipped with adjustable legs, *Danfoss* or *Aspera* Compressor and Refrigerant **R134A**. For glass doors, we use two-layer of glass, internal lights and airflow guide to keep your cooling process even/stable.

Untuk menyimpan sayuran, buah-buahan, minuman kemasan dan susu. Sudah termasuk rak yang bisa ditata-ulang, kunci pintu dan *Display* suhu LED. Dilengkapi dengan kaki *adjustable*, kompresor *Danfoss* atau *Aspera*, dan pendingin **R134A**. Opsi Pintu kaca memakai kaca dua lapis, lampu internal dan *Airflow Guide* agar pendinginan merata.



MODEL	BC-UCC180	BC-UCC150	BC-UCG180	BC-UCG150
Dimension [WxDxH in mm]	1800 x 750 x 850	1500 x 750 x 850	1800 x 750 x 850	1500 x 750 x 850
Volume	450 Liters	350 Liters	450 Liters	350 Liters
Features	Solid Doors	Solid Doors	Glass Doors	Glass Doors
Temperature	2° to 8° C	2° to 8° C	2° to 8° C	2° to 8° C
Refrigerant	R134A	R134A	R134A	R134A
Watt	430 W	420 W	350 W	340 W
Weight [Kg]	125.0	100.0	149.0	125.0

## UNDERCOUNTER CABINET FREEZER SOLID DOORS

Suitable to keep fresh meats, fish meats, seafood, nuggets and more. Adjustable rack, door lock and LED Display for temperature are included. Equipped with adjustable legs, *Danfoss* or *Aspera* Compressor and Refrigerant **R404A**.

Cocok untuk menyimpan daging segar, ikan segar, *seafood*, *nugget* dan sebagainya. Sudah termasuk rak yang bisa ditata-ulang, kunci pintu dan *Display* suhu LED. Dilengkapi dengan kaki *adjustable*, kompresor *Danfoss* atau *Aspera*, dan pendingin **R404A**.



MODEL	BC-UCF180	BC-UCF150
Dimension [WxDxH in mm]	1800 x 750 x 850	1500 x 750 x 850
Volume	465 Liters	360 Liters
Temperature	-18° to -21° C	-18° to -21° C
Refrigerant	R404A	R404A
Watt	660 W	660 W
Weight [Kg]	125.0	100.0

## CAKE SHOWCASE

Perfect for showcasing your cake product. Adjustable rack, door lock and LED Display for temperature are included. Equipped with two layers of hallow glass (one outside layer is tempered glass), *Danfoss* or *Aspera* Compressor and Refrigerant **R134A**. Available in two showcase shape.



Sempurna untuk menampilkan produk kue anda. Sudah termasuk rak yang bisa ditata-ulang, kunci pintu dan *Display* suhu LED. Dilengkapi dengan dua lapisan kaca *hallow* (lapisan luar adalah kaca *tempered*), roda *castrol*, kompresor *Danfoss* atau *Aspera*, dan pendingin **R134A**. Tersedia dalam dua bentuk *Showcase*.

### FREE STANDING CAKE SHOWCASE RECTANGULAR-SHAPED

MODEL	BC-RCS150	BC-RCS120
Dimension [WxDxH in mm]	1500 x 690 x 1250	1200 x 690 x 1250
Volume	532 Liters	417 Liters
Capacity	2 Shelf	2 Shelf
Temperature	2° to 8° C	2° to 8° C
Refrigerant	R134A	R134A
Watt	800 W	700 W
Weight [Kg]	260.0	225.0

### FREE STANDING CAKE SHOWCASE CURVE-SHAPED

MODEL	BC-CCS180	BC-CCS150	BC-CCS120
Dimension [WxDxH in mm]	1800 x 730 x 1250	1500 x 730 x 1250	1200 x 730 x 1250
Volume	520 Liters	420 Liters	320 Liters
Capacity	2 Shelf	2 Shelf	2 Shelf
Temperature	2° to 8° C	2° to 8° C	2° to 8° C
Refrigerant	R134A	R134A	R134A
Watt	1100 W	950 W	800 W
Weight [Kg]	370.0	325.0	285.0





## YOUR STAINLESS KITCHEN SOLUTION

Trust the experts with your remodeling and custom kitchen or establishment project needs.

A source of superior, brand-name products for builders, contractors and designers, as well as a one-stop shopping solution for consumers, **Arindo Cipta Perkasa** are staffed by professionals who can help you to create the kitchen of your dreams.

Our services are various, from **after-sales service, gas installation, exhaust, fresh-air and air-conditioning system installation, project consultancy** and even **maintenance equipment service**.

### OUR BRANDS



PT. Arindo Cipta Perkasa have the facilities to produce and manufacture high quality *Stainless-Steel* kitchen equipment, carry out full installations of all our products including initial on site surveys should these be required. You can look for us by typing this, either on your *Maps applications*, or search for us in the *Google*.

**PT. Arindo Cipta Perkasa**  
6°27'10"S 106°54'42"E

### SERVICE CENTER

Jl. Hj Saitam #77, Gang Momonot, Tlajung Udik, Gunung Putri, Bogor 16961, Indonesia.

M +62 822 6190 6163 T +62 21 8686 1923





## STAINLESS.KITCHEN.SOLUTION

PT. Arindo Cipta Perkasa is the best solution for increasing your kitchen's effectiveness and performance, by using *Stainless-Steel* products, equipments or appliances, in which will be tailored specially for your kitchen.

Established in 2011, PT. Arindo Cipta Perkasa already providing *Stainless-Steel* kitchen equipment for restaurants, catering business and hotels in Indonesia.

PT. Arindo Cipta Perkasa is your ultimate solution for all *Stainless-Steel* products.



## STAINLESS.KITCHEN.SOLUTION

PT. Arindo Cipta Perkasa adalah solusi terbaik untuk meningkatkan efektivitas dan performa dapur yang anda miliki, dengan menggunakan peralatan *Stainless-Steel* yang akan disesuaikan dengan kebutuhan dapur anda.

Telah berdiri sejak 2011, PT. Arindo Cipta Perkasa telah menyuplai dan menyediakan peralatan dapur berbahan *Stainless-Steel* untuk berbagai restoran, bisnis catering dan hotel-hotel di Indonesia.

PT. Arindo Cipta Perkasa adalah solusi terbaik anda untuk semua produk *Stainless-Steel*.

### PT. ARINDO CIPTA PERKASA

**OFFICE** Perkantoran Pulomas Blok IX/08, Perintis, Jakarta Timur 13210, Indonesia.

**FACTORY** Jl. Hj Saitam #77, Gg. Momonot, Tlajung Udik, Gunung Putri, Bogor 16961 Indonesia.

**TEL** +62 21 2983 3664 **FAX** +62 21 2983 3665 **WEB** [www.acp-kitchen.com](http://www.acp-kitchen.com)

### SERVICE CENTER

Contact our **Service Center** by dialling our service hotline.

**HOTLINE** +62 822 6190 6163

Specifications and equipments are subject to change without any notice or obligation on the part of the manufacturer. All data are valid per March 2017.

Spesifikasi peralatan/barang bisa berubah-ubah tanpa adanya pemberitahuan berwajib dari pabrik selaku produsen. Semua *data* berlaku sejak Maret 2017.

**PUBLISHED MARCH 2017 / DICETAK MARET 2017.  
MADE IN INDONESIA.**

REPRESENTING / MEWAKILI PT. ARINDO CIPTA PERKASA.